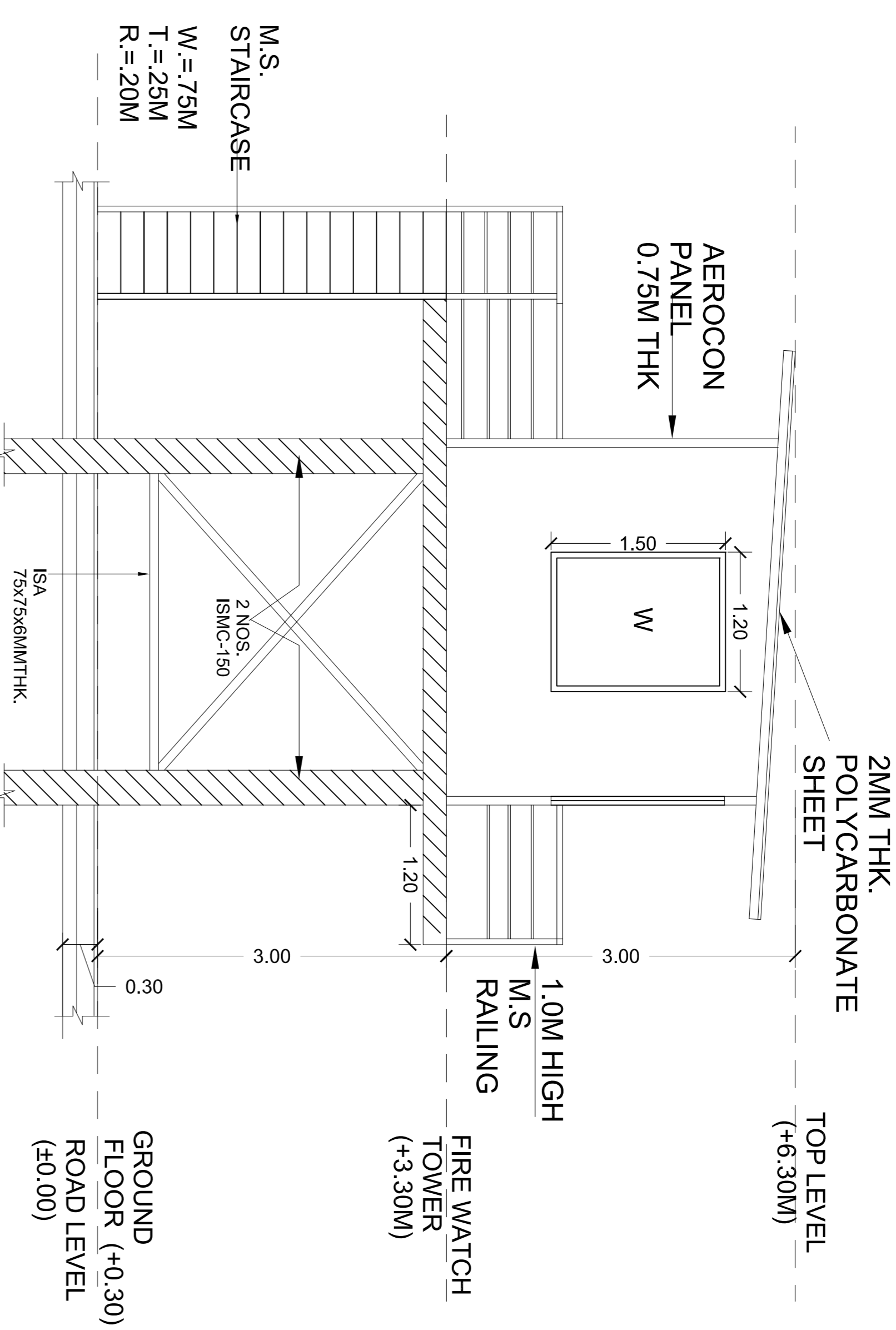
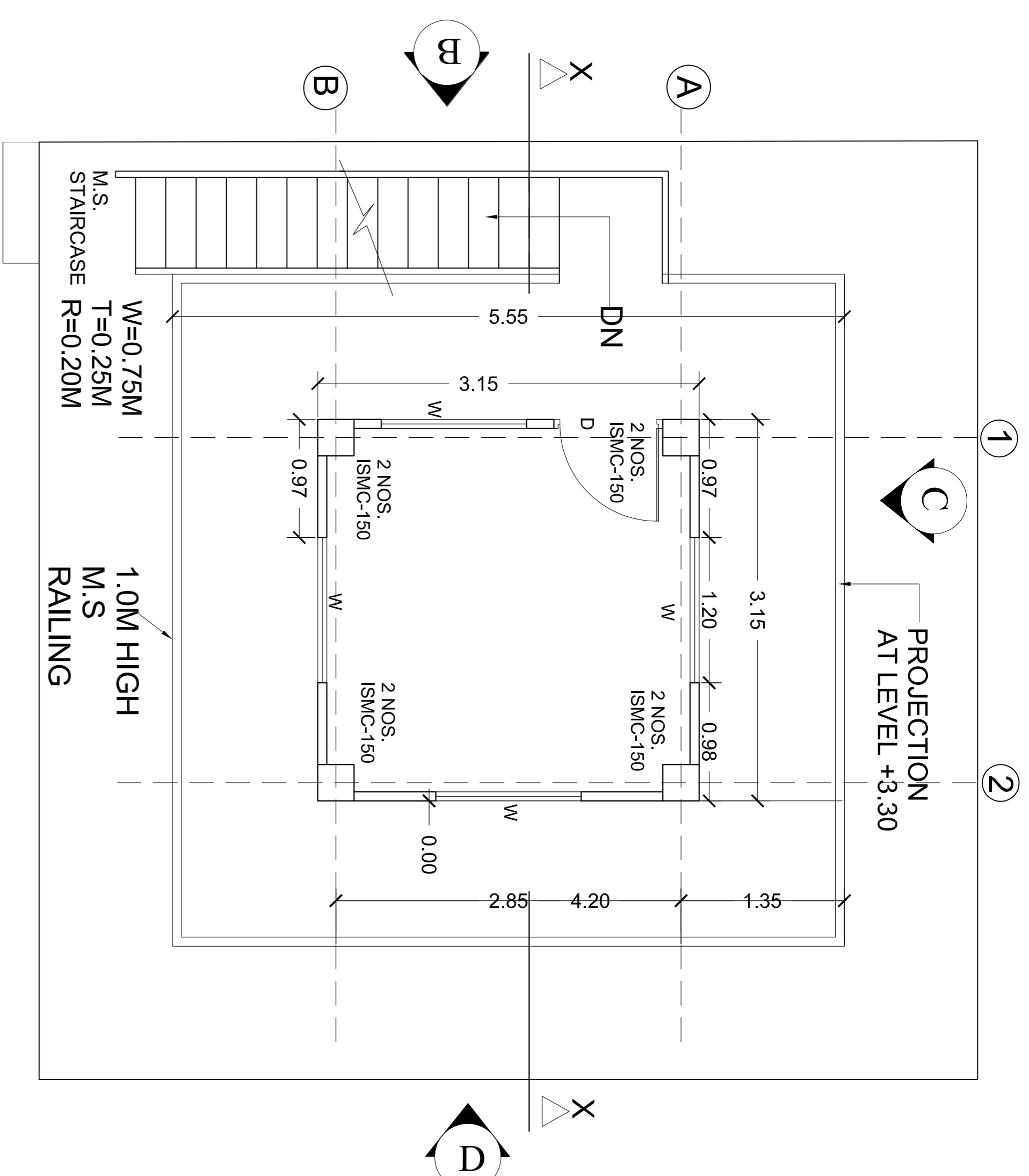


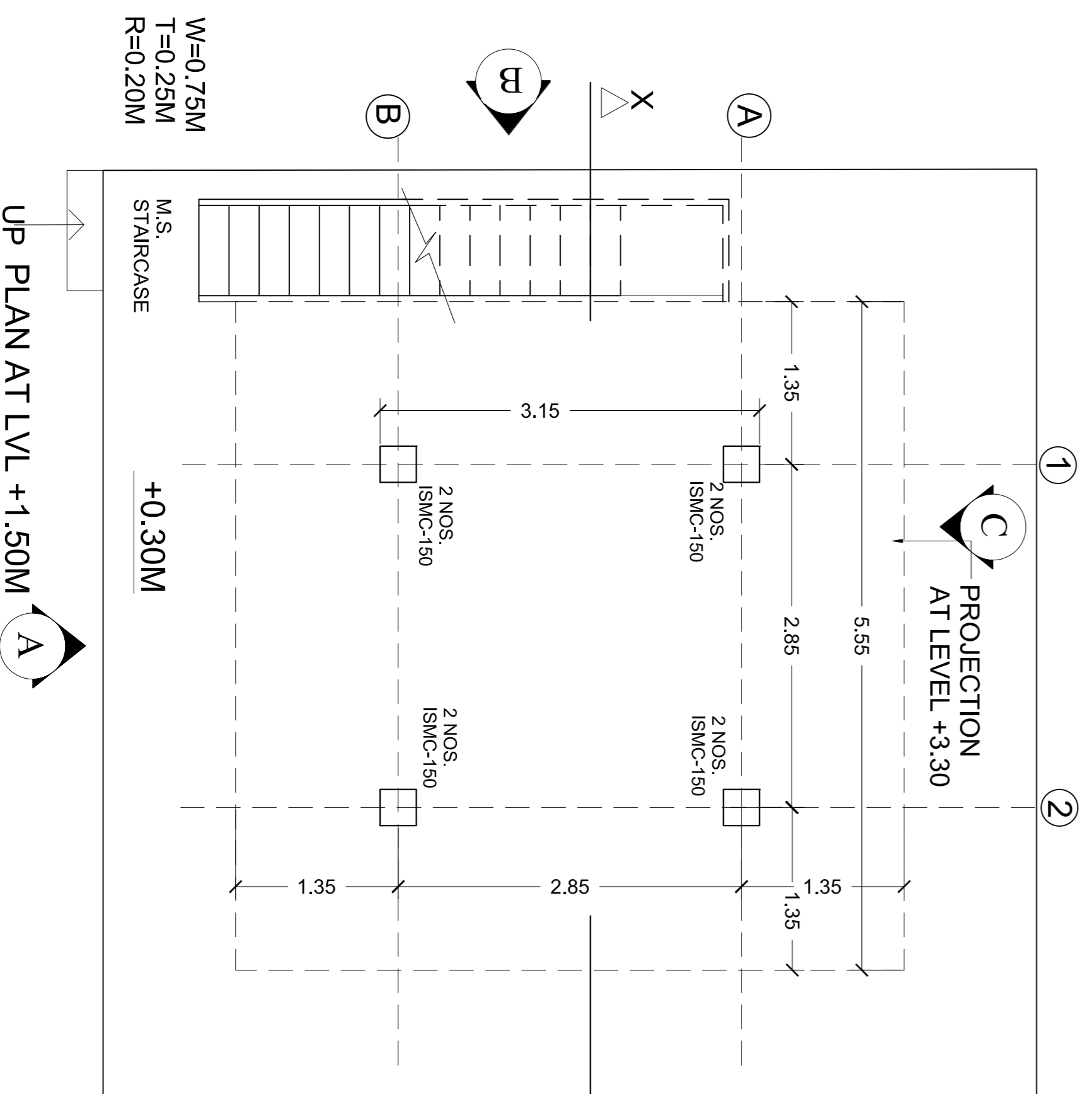
NOTES:-  
 ALL DIMENSIONS ARE IN METERS UNLESS NOTED OTHERWISE.  
 WRITTEN DIMENSIONS ARE TO BE FOLLOWED. DRAWINGS ARE NOT TO BE SCALED.  
 ANY DISCREPANCY IN THE DRAWING SHALL BE BROUGHT TO THE NOTICE OF THE ENGINEER.  
 THIS DRAWING SHALL BE READ IN CONJUNCTION WITH OTHER RELEVANT DRAWINGS.



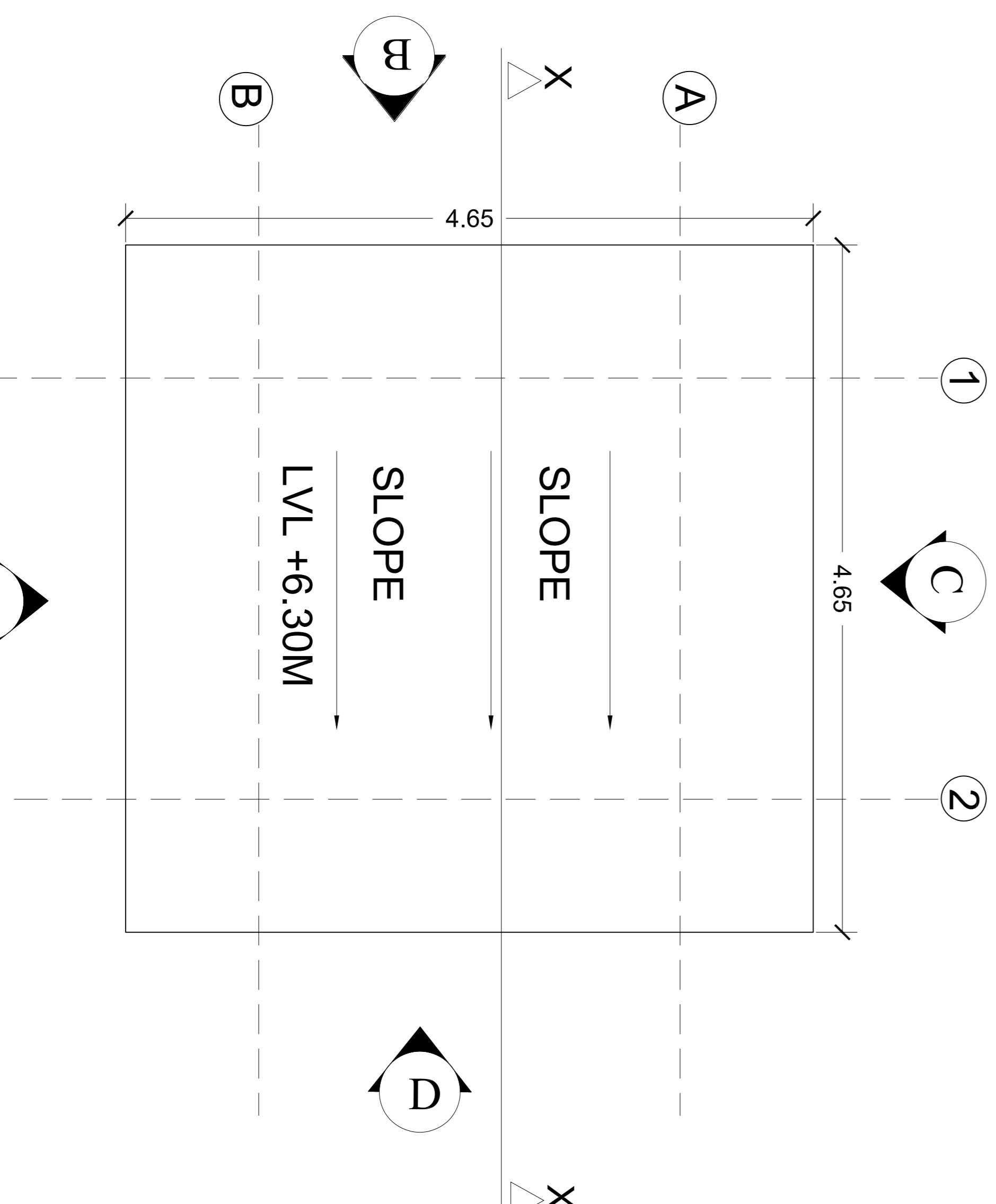
SECTION-X



PLAN AT LVL +3.30



UP PLAN AT LVL +1.50M



TOP PLAN

**GFC**  
 COMPLETION STAGE  
 CONSTRUCTION STAGE  
 TENDER STAGE  
 CONCEPTUAL STAGE

SUFFIX	DATE	INITIALS	DETAILS

REVISIONS

PROJECT PROPONENT  
**BHOGAPURAM INTERNATIONAL AIRPORT CORPORATION LIMITED (BIACL) GOVT. OF A.P.**

CONSULTANT



JOB TITLE  
**DEVELOPMENT OF GREEN FIELD AIRPORT AT ORVAKALLU (KURNOOL) A.P., FOR DAY VFR OPERATIONS OF ATR 72 AIRCRAFT**

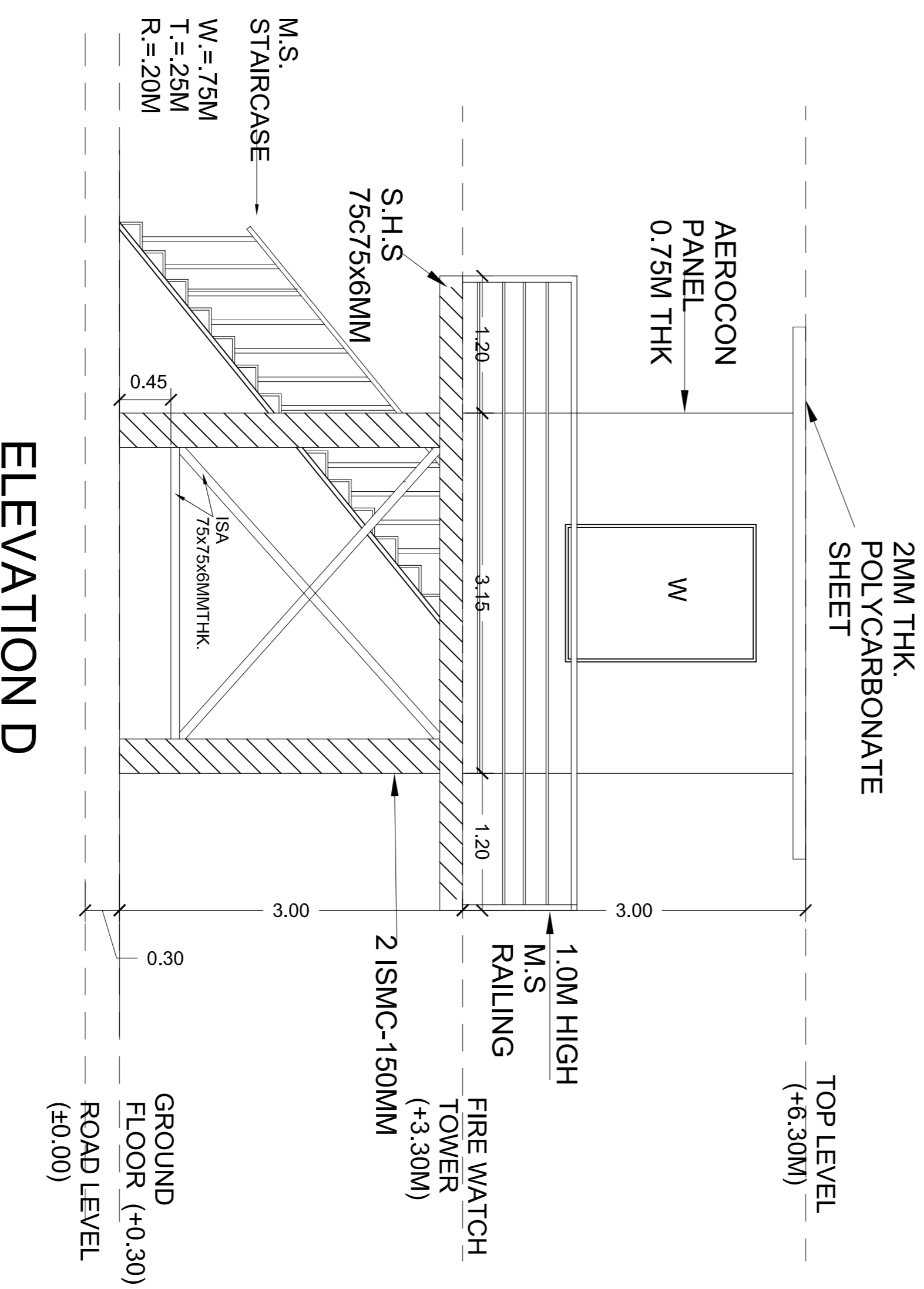
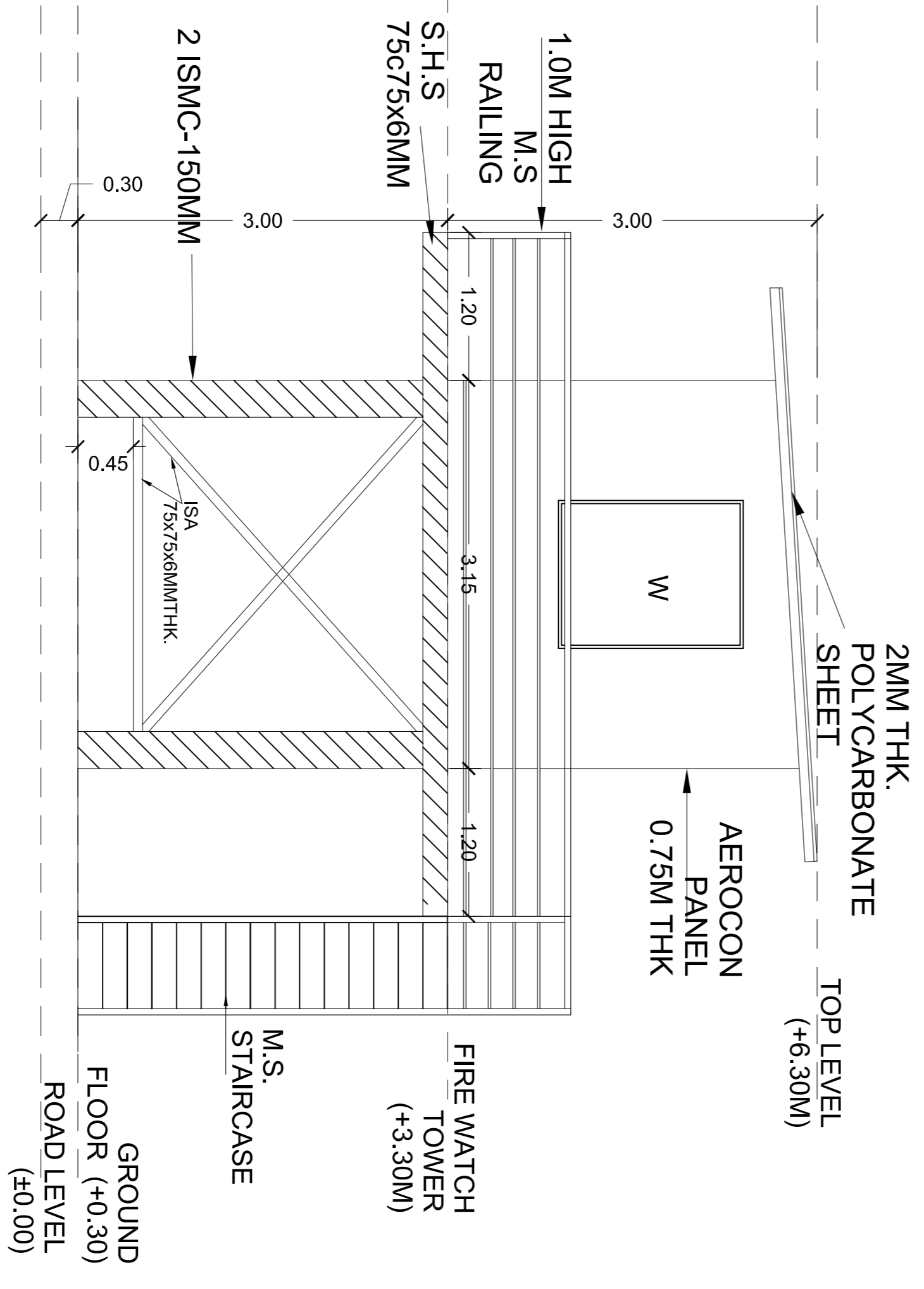
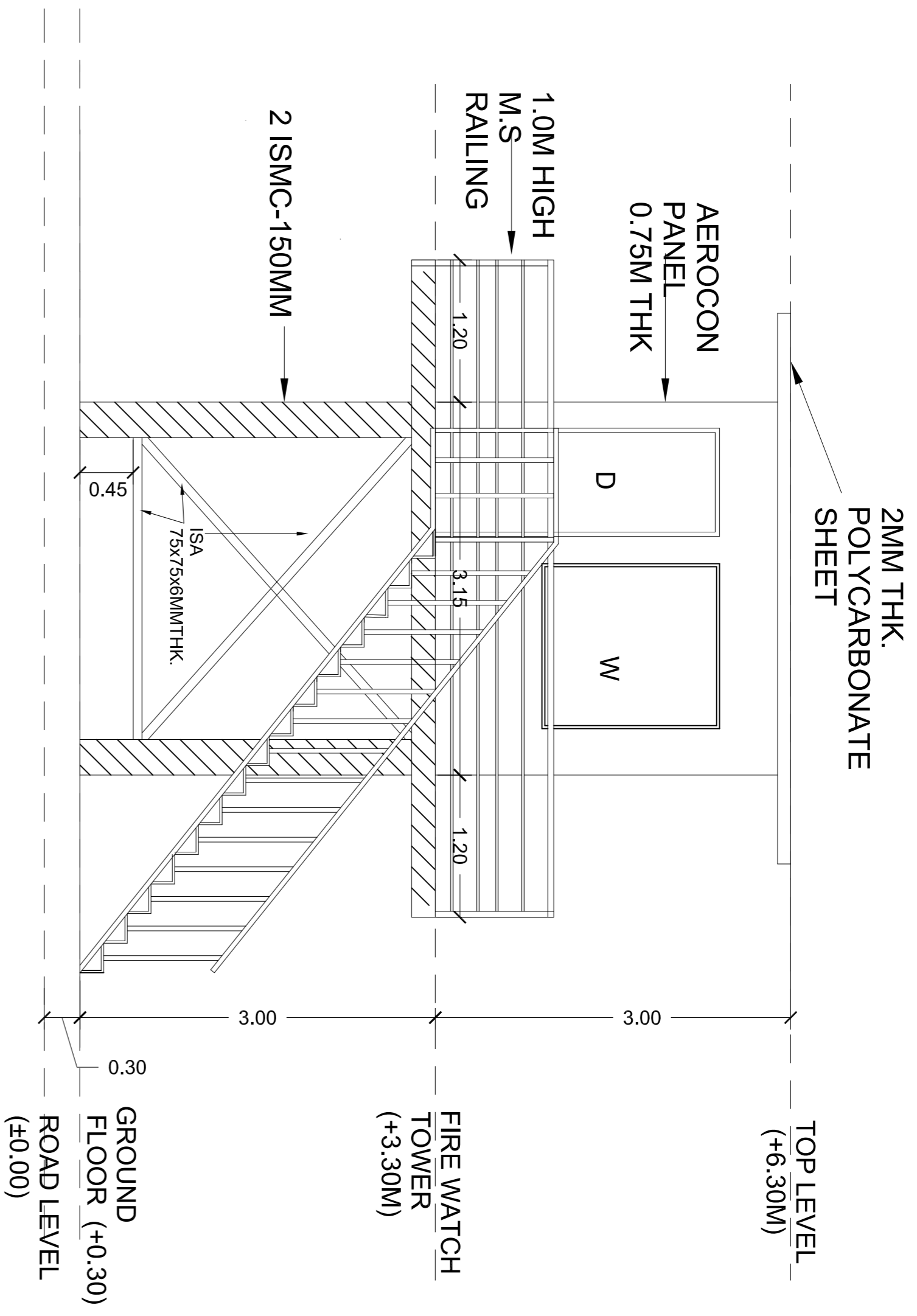
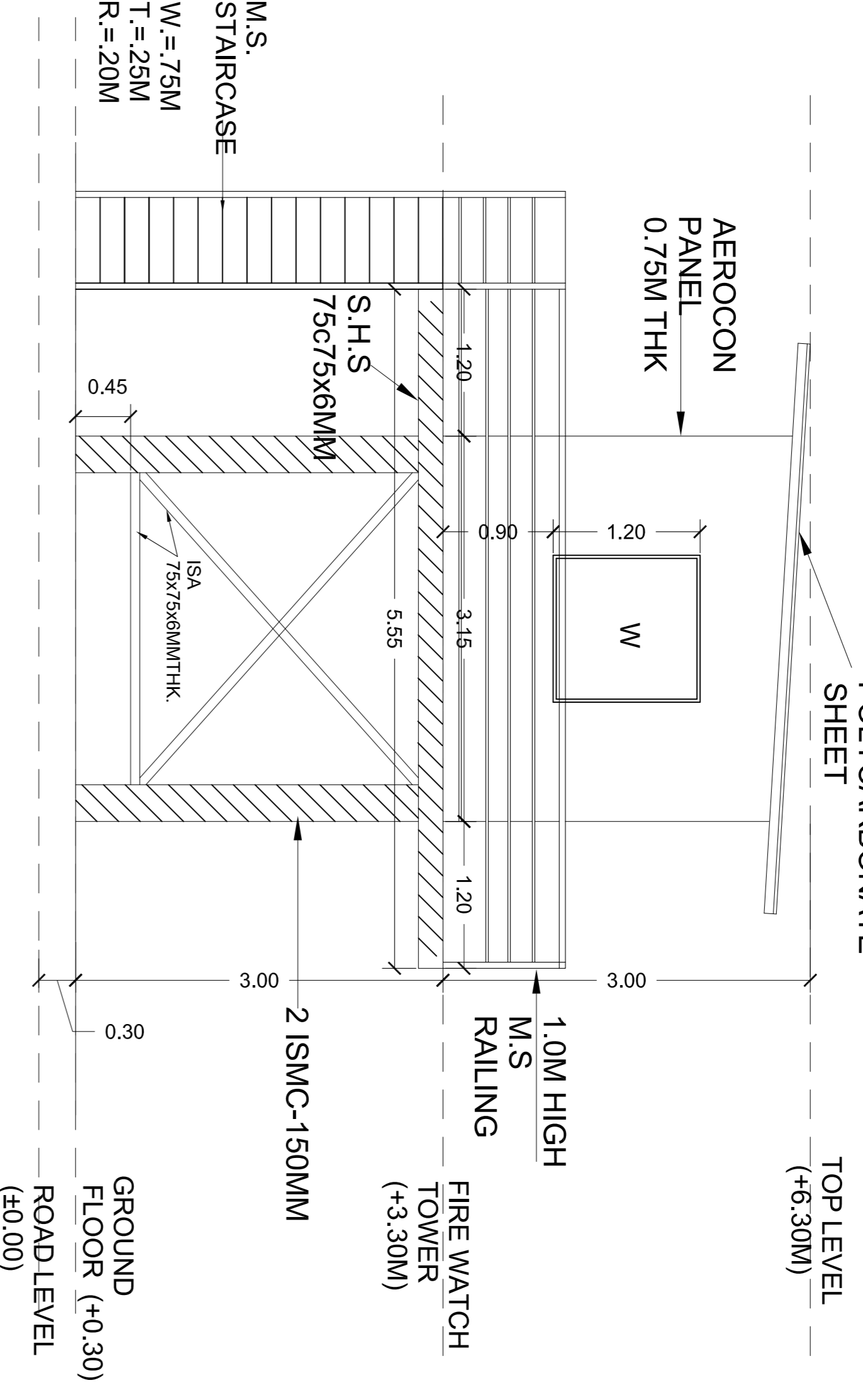
ARCHITECT : **Renu Khanna & Associates**  
 architects, engineers, interior & landscape planner  
 10th Floor, Renukhya, Hyderabad  
 India-501109  
 Ph. +91-172-2683379 Fax. +91-172-2684538  
 Email: renukhanna.architect@yahoo.com  
<http://www.architectsrenukhanna.com/>

DRAWING TITLE  
**FIRE WATCH TOWER PLAN AND SECTION**

Job No.	Date	Revision Suffix	Checked By	Approved By
WD/FWT/AR-01	01-06-2018			
NTS				
DRAWN				
SUKHWINDER				

COPYRIGHT  
 THIS DRAWING IS THE PROPERTY OF RNTS LTD. IT SHALL NOT BE REPRODUCED, COPIED, USED IN ANY MANNER OR PASSED OVER TO ANY OTHER PERSON OR PARTY, WITHOUT THE PRIOR PERMISSION OF RNTS LTD.

**NOTES:-**  
 ALL DIMENSIONS ARE IN METERS UNLESS NOTED OTHERWISE.  
 WRITTEN DIMENSIONS ARE TO BE FOLLOWED. DRAWINGS ARE NOT TO BE SCALED.  
 ANY DISCREPANCY IN THE DRAWING SHALL BE BROUGHT TO THE NOTICE OF THE ENGINEER.  
 THIS DRAWING SHALL BE READ IN CONJUNCTION WITH OTHER RELEVANT DRAWINGS.



**GFC**

COMPLETION STAGE  
 CONSTRUCTION STAGE  
 TENDER STAGE  
 CONCEPTUAL STAGE

REVISIONS

SUFFIX	DATE	INITIALS	DETAILS

PROJECT PROPONENT  
**BHOGAPURAM INTERNATIONAL AIRPORT CORPORATION LIMITED (BIACL) GOVT. OF A.P.**

CONSULTANT  
**ORIENTES**  
 THE INFRASTRUCTURE PEOPLE  
 AIRPORTS DIVISION  
 (ISO - 9001 CERTIFIED)

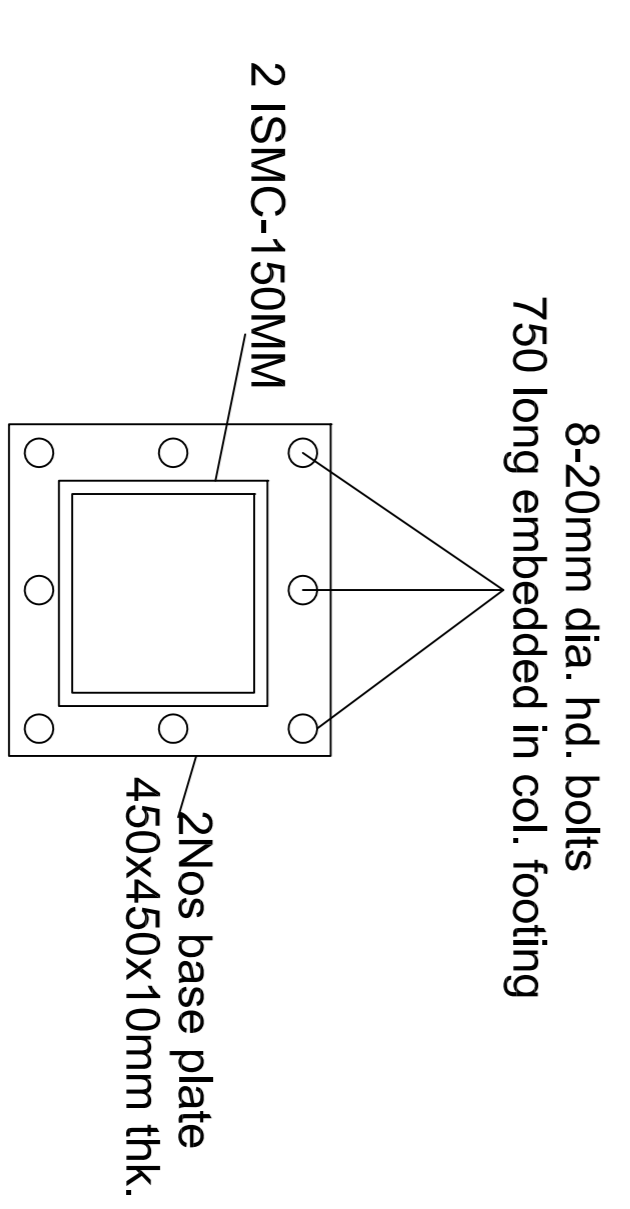
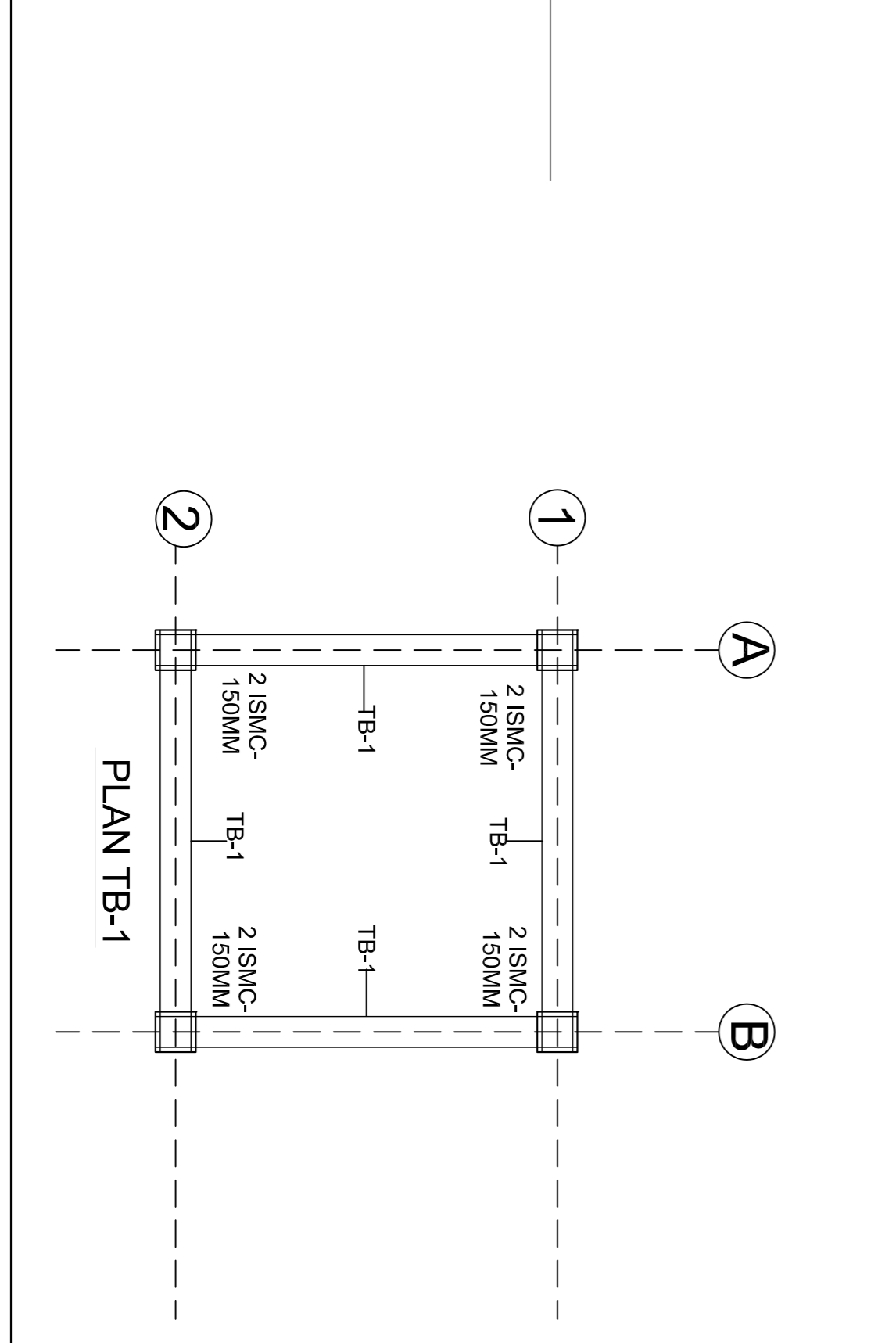
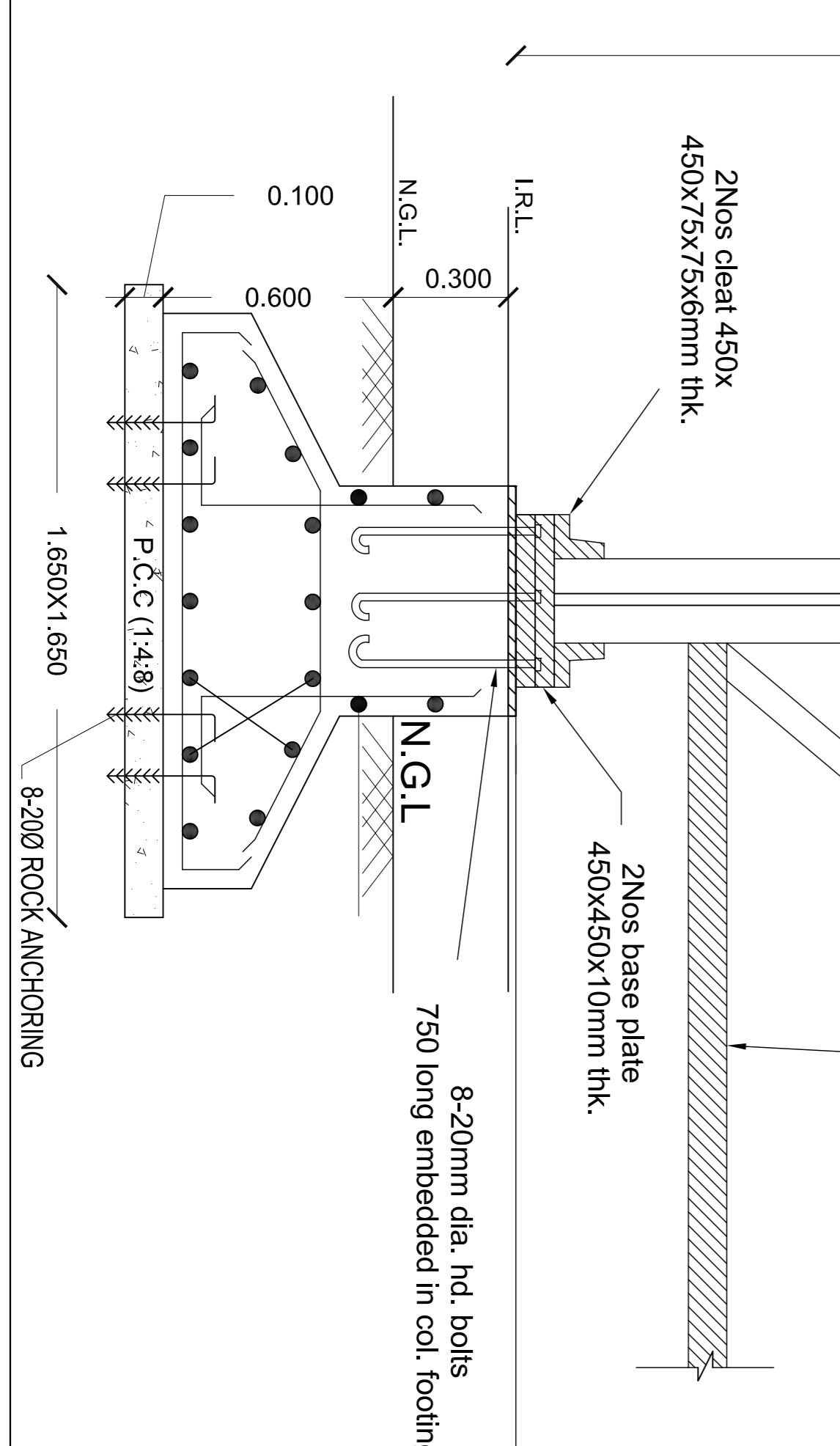
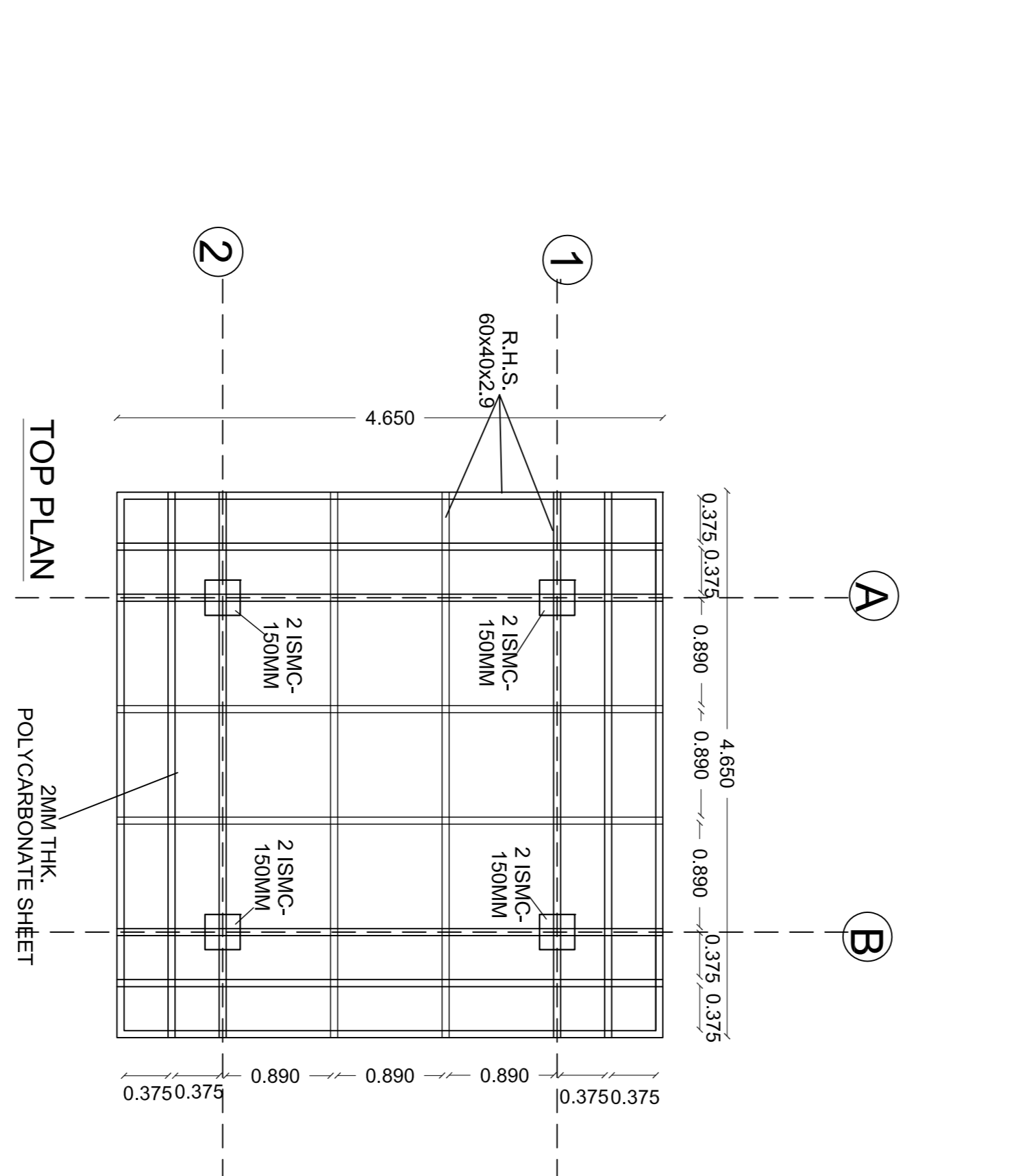
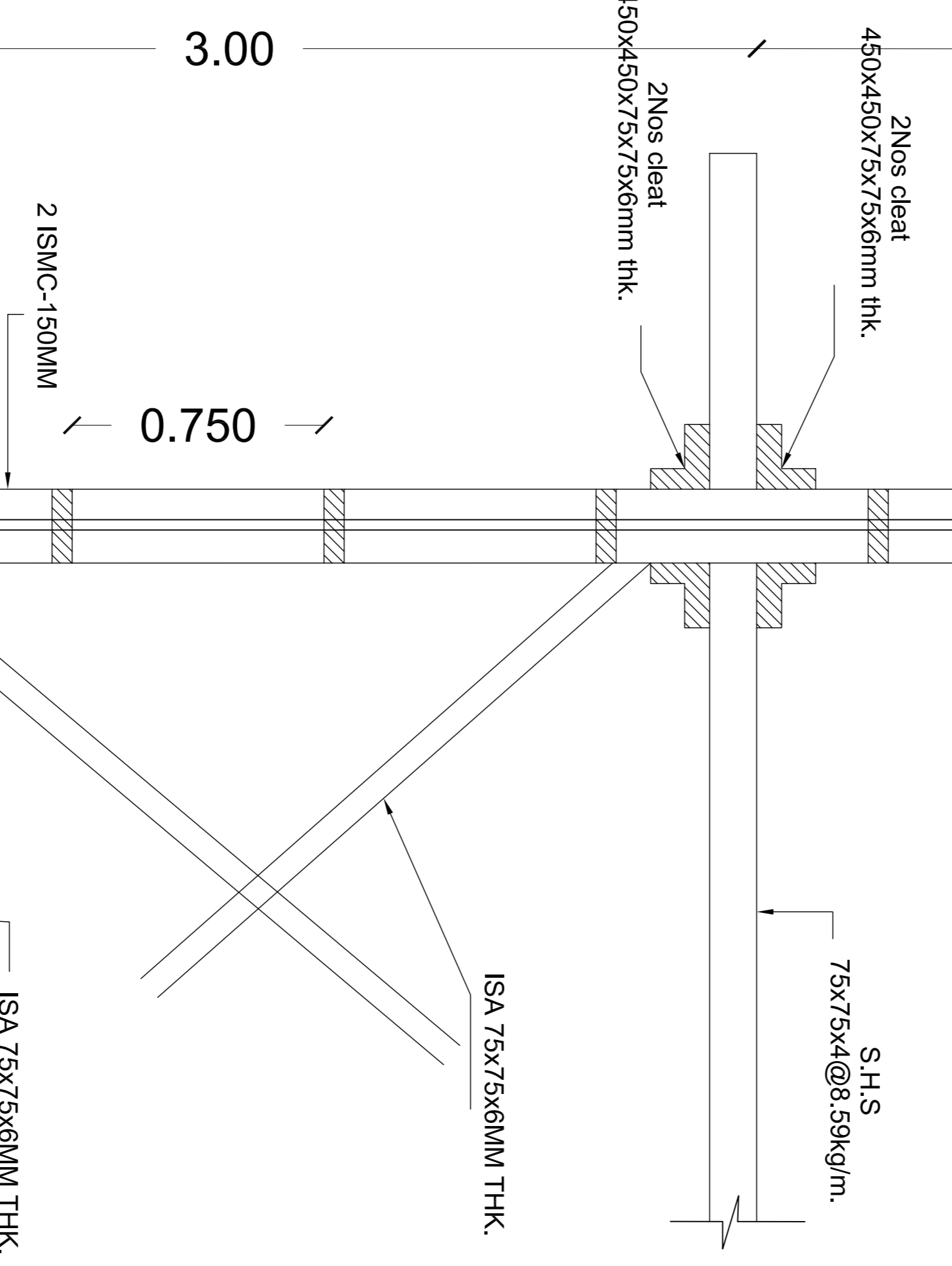
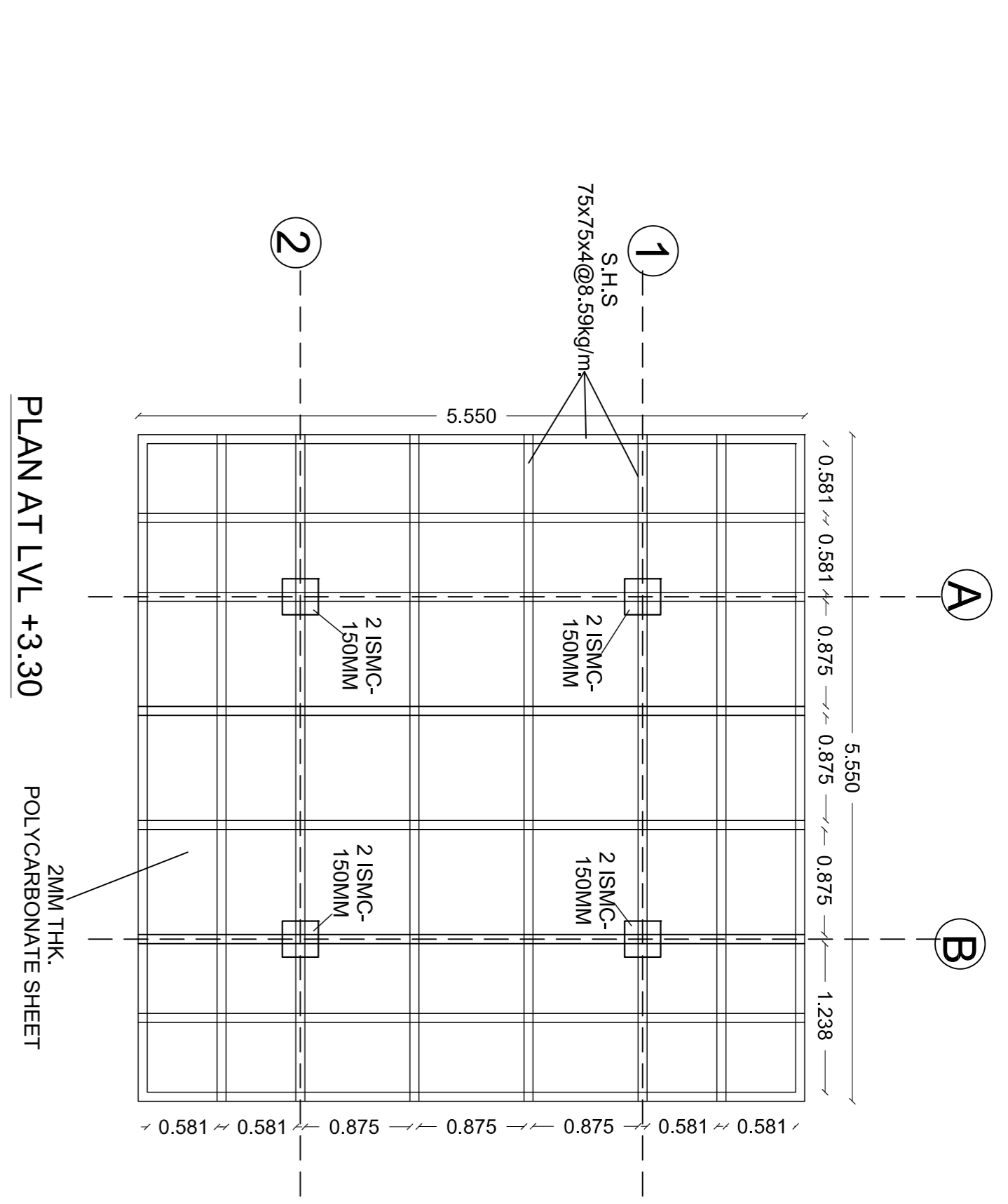
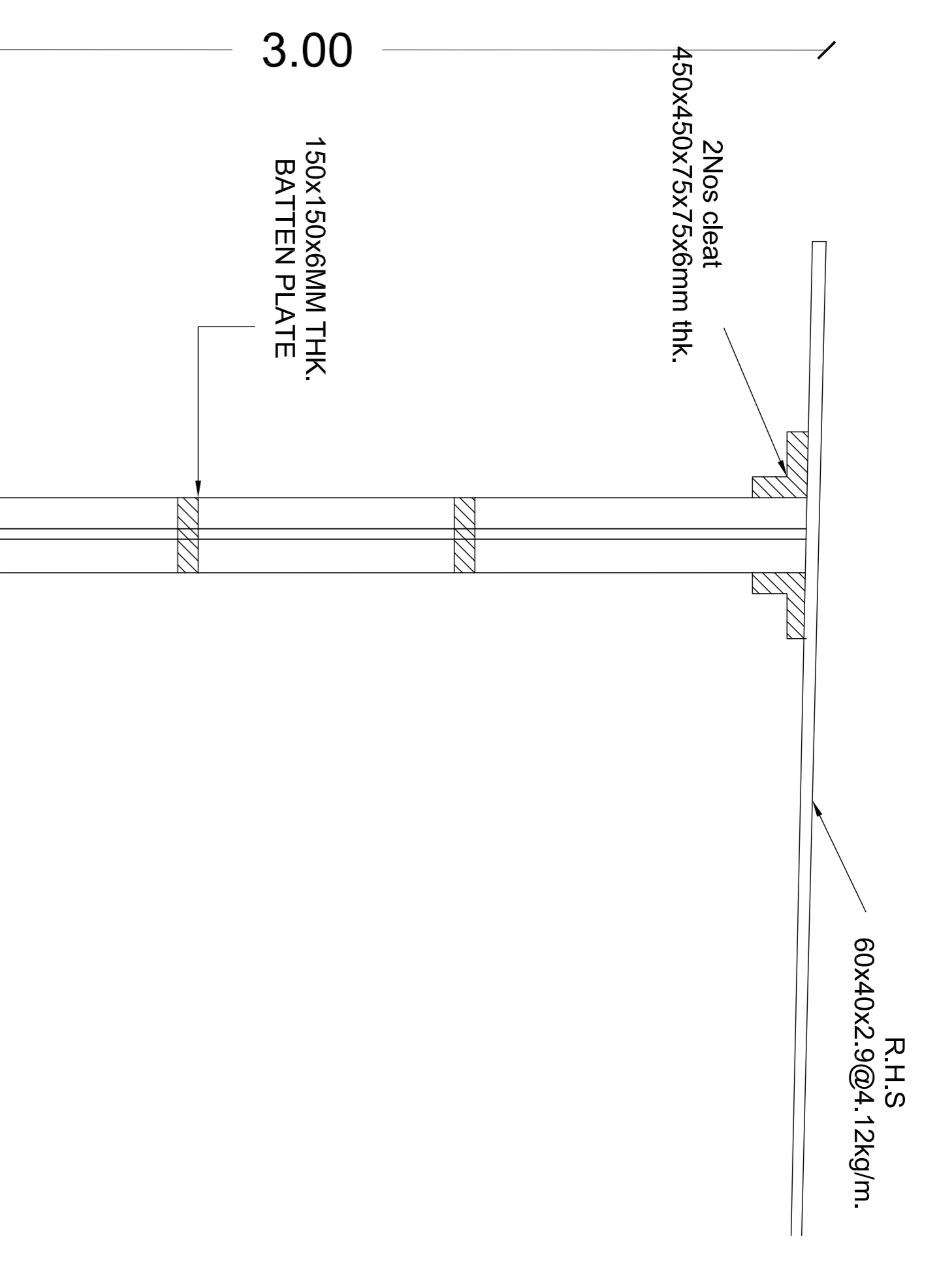
ARCHITECT : **Renu Khanna & Associates**  
 architect, engineers, interior & landscape planner  
 100/101, 102, 103, 104, 105, 106, 107, 108, 109, 110, 111, 112, 113, 114, 115, 116, 117, 118, 119, 120, 121, 122, 123, 124, 125, 126, 127, 128, 129, 130, 131, 132, 133, 134, 135, 136, 137, 138, 139, 140, 141, 142, 143, 144, 145, 146, 147, 148, 149, 150, 151, 152, 153, 154, 155, 156, 157, 158, 159, 160, 161, 162, 163, 164, 165, 166, 167, 168, 169, 170, 171, 172, 173, 174, 175, 176, 177, 178, 179, 180, 181, 182, 183, 184, 185, 186, 187, 188, 189, 190, 191, 192, 193, 194, 195, 196, 197, 198, 199, 200, 201, 202, 203, 204, 205, 206, 207, 208, 209, 210, 211, 212, 213, 214, 215, 216, 217, 218, 219, 220, 221, 222, 223, 224, 225, 226, 227, 228, 229, 230, 231, 232, 233, 234, 235, 236, 237, 238, 239, 240, 241, 242, 243, 244, 245, 246, 247, 248, 249, 250, 251, 252, 253, 254, 255, 256, 257, 258, 259, 260, 261, 262, 263, 264, 265, 266, 267, 268, 269, 270, 271, 272, 273, 274, 275, 276, 277, 278, 279, 280, 281, 282, 283, 284, 285, 286, 287, 288, 289, 290, 291, 292, 293, 294, 295, 296, 297, 298, 299, 300, 301, 302, 303, 304, 305, 306, 307, 308, 309, 310, 311, 312, 313, 314, 315, 316, 317, 318, 319, 320, 321, 322, 323, 324, 325, 326, 327, 328, 329, 330, 331, 332, 333, 334, 335, 336, 337, 338, 339, 340, 341, 342, 343, 344, 345, 346, 347, 348, 349, 350, 351, 352, 353, 354, 355, 356, 357, 358, 359, 360, 361, 362, 363, 364, 365, 366, 367, 368, 369, 370, 371, 372, 373, 374, 375, 376, 377, 378, 379, 380, 381, 382, 383, 384, 385, 386, 387, 388, 389, 390, 391, 392, 393, 394, 395, 396, 397, 398, 399, 400, 401, 402, 403, 404, 405, 406, 407, 408, 409, 410, 411, 412, 413, 414, 415, 416, 417, 418, 419, 420, 421, 422, 423, 424, 425, 426, 427, 428, 429, 430, 431, 432, 433, 434, 435, 436, 437, 438, 439, 440, 441, 442, 443, 444, 445, 446, 447, 448, 449, 450, 451, 452, 453, 454, 455, 456, 457, 458, 459, 460, 461, 462, 463, 464, 465, 466, 467, 468, 469, 470, 471, 472, 473, 474, 475, 476, 477, 478, 479, 480, 481, 482, 483, 484, 485, 486, 487, 488, 489, 490, 491, 492, 493, 494, 495, 496, 497, 498, 499, 500, 501, 502, 503, 504, 505, 506, 507, 508, 509, 510, 511, 512, 513, 514, 515, 516, 517, 518, 519, 520, 521, 522, 523, 524, 525, 526, 527, 528, 529, 530, 531, 532, 533, 534, 535, 536, 537, 538, 539, 540, 541, 542, 543, 544, 545, 546, 547, 548, 549, 550, 551, 552, 553, 554, 555, 556, 557, 558, 559, 560, 561, 562, 563, 564, 565, 566, 567, 568, 569, 570, 571, 572, 573, 574, 575, 576, 577, 578, 579, 580, 581, 582, 583, 584, 585, 586, 587, 588, 589, 590, 591, 592, 593, 594, 595, 596, 597, 598, 599, 600, 601, 602, 603, 604, 605, 606, 607, 608, 609, 610, 611, 612, 613, 614, 615, 616, 617, 618, 619, 620, 621, 622, 623, 624, 625, 626, 627, 628, 629, 630, 631, 632, 633, 634, 635, 636, 637, 638, 639, 640, 641, 642, 643, 644, 645, 646, 647, 648, 649, 650, 651, 652, 653, 654, 655, 656, 657, 658, 659, 660, 661, 662, 663, 664, 665, 666, 667, 668, 669, 670, 671, 672, 673, 674, 675, 676, 677, 678, 679, 680, 681, 682, 683, 684, 685, 686, 687, 688, 689, 690, 691, 692, 693, 694, 695, 696, 697, 698, 699, 700, 701, 702, 703, 704, 705, 706, 707, 708, 709, 710, 711, 712, 713, 714, 715, 716, 717, 718, 719, 720, 721, 722, 723, 724, 725, 726, 727, 728, 729, 730, 731, 732, 733, 734, 735, 736, 737, 738, 739, 740, 741, 742, 743, 744, 745, 746, 747, 748, 749, 750, 751, 752, 753, 754, 755, 756, 757, 758, 759, 760, 761, 762, 763, 764, 765, 766, 767, 768, 769, 770, 771, 772, 773, 774, 775, 776, 777, 778, 779, 780, 781, 782, 783, 784, 785, 786, 787, 788, 789, 790, 791, 792, 793, 794, 795, 796, 797, 798, 799, 800, 801, 802, 803, 804, 805, 806, 807, 808, 809, 810, 811, 812, 813, 814, 815, 816, 817, 818, 819, 820, 821, 822, 823, 824, 825, 826, 827, 828, 829, 830, 831, 832, 833, 834, 835, 836, 837, 838, 839, 840, 841, 842, 843, 844, 845, 846, 847, 848, 849, 850, 851, 852, 853, 854, 855, 856, 857, 858, 859, 860, 861, 862, 863, 864, 865, 866, 867, 868, 869, 870, 871, 872, 873, 874, 875, 876, 877, 878, 879, 880, 881, 882, 883, 884, 885, 886, 887, 888, 889, 890, 891, 892, 893, 894, 895, 896, 897, 898, 899, 900, 901, 902, 903, 904, 905, 906, 907, 908, 909, 910, 911, 912, 913, 914, 915, 916, 917, 918, 919, 920, 921, 922, 923, 924, 925, 926, 927, 928, 929, 930, 931, 932, 933, 934, 935, 936, 937, 938, 939, 940, 941, 942, 943, 944, 945, 946, 947, 948, 949, 950, 951, 952, 953, 954, 955, 956, 957, 958, 959, 960, 961, 962, 963, 964, 965, 966, 967, 968, 969, 970, 971, 972, 973, 974, 975, 976, 977, 978, 979, 980, 981, 982, 983, 984, 985, 986, 987, 988, 989, 990, 991, 992, 993, 994, 995, 996, 997, 998, 999, 1000.

DRAWING TITLE  
**FIRE WATCH TOWER ELEVATIONS**

Job. No. **WD/FWT/AR-02**  
 Date **01-06-2018**  
 Revision Suffix  
 NTS  
 DRAWN **SUKHWINDER** CHECKED BY **P.COORD.** APPROVED BY **R2**  
 COPYRIGHT  
 THIS DRAWING IS THE PROPERTY OF RITES LTD. IT SHALL NOT BE REPRODUCED, COPIED, USED IN ANY MANNER OR HANDLED OVER TO ANY OTHER PERSON OR PARTY, WITHOUT THE PRIOR PERMISSION OF RITES LTD.

**NOTES:-**  
 ALL DIMENSIONS ARE IN METERS UNLESS NOTED OTHERWISE.  
 WRITTEN DIMENSIONS ARE TO BE FOLLOWED. DRAWINGS ARE NOT TO BE SCALED.  
 ANY DISCREPANCY IN THE DRAWING SHALL BE BROUGHT TO THE NOTICE OF THE ENGINEER.  
 THIS DRAWING SHALL BE READ IN CONJUNCTION WITH OTHER RELEVANT DRAWINGS.

**NOTE:-**  
 ALL WELD 6MM THK.



**ARCHITECT :** Renu Khanna & Associates  
 architect, engineers, interior & landscape planner  
 India-54102  
 Ph. +91-172-2653179 Fax. +91-172-2684538  
 email: renukhannaarchitects@gmail.com  
 http://www.architectsrhkhanna.com/

**CONSULTANT :** **ORITES**  
 THE INFRASTRUCTURE PEOPLE  
 AIRPORTS DIVISION  
 (ISO - 9001 CERTIFIED)

**JOB TITLE :** DEVELOPMENT OF GREEN FIELD AIRPORT AT ORYAKALLU (KURNOOL), A.P., FOR DAY VFR OPERATIONS OF ATR 72 AIRCRAFT

**DRAWING TITLE :** STRUCTURE OF FIRE WATCH TOWER

Job No.	Date	Revision	Scale
NTS	01-08-2018		
DRAWN	DEALT	CHECKED BY	APPROVED BY
SUKHWINDER	VIKRAM	P. COBO	R2

**REVISIONS**

SUFFIX	DATE	INITIALS	DETAILS

**PROJECT PROPOSER :** BHOGAPURAM INTERNATIONAL AIRPORT CORPORATION LIMITED (BIACL) GOVT. OF A.P.

**CONSTRUCTION STAGE**  **CONCEPTUAL STAGE**

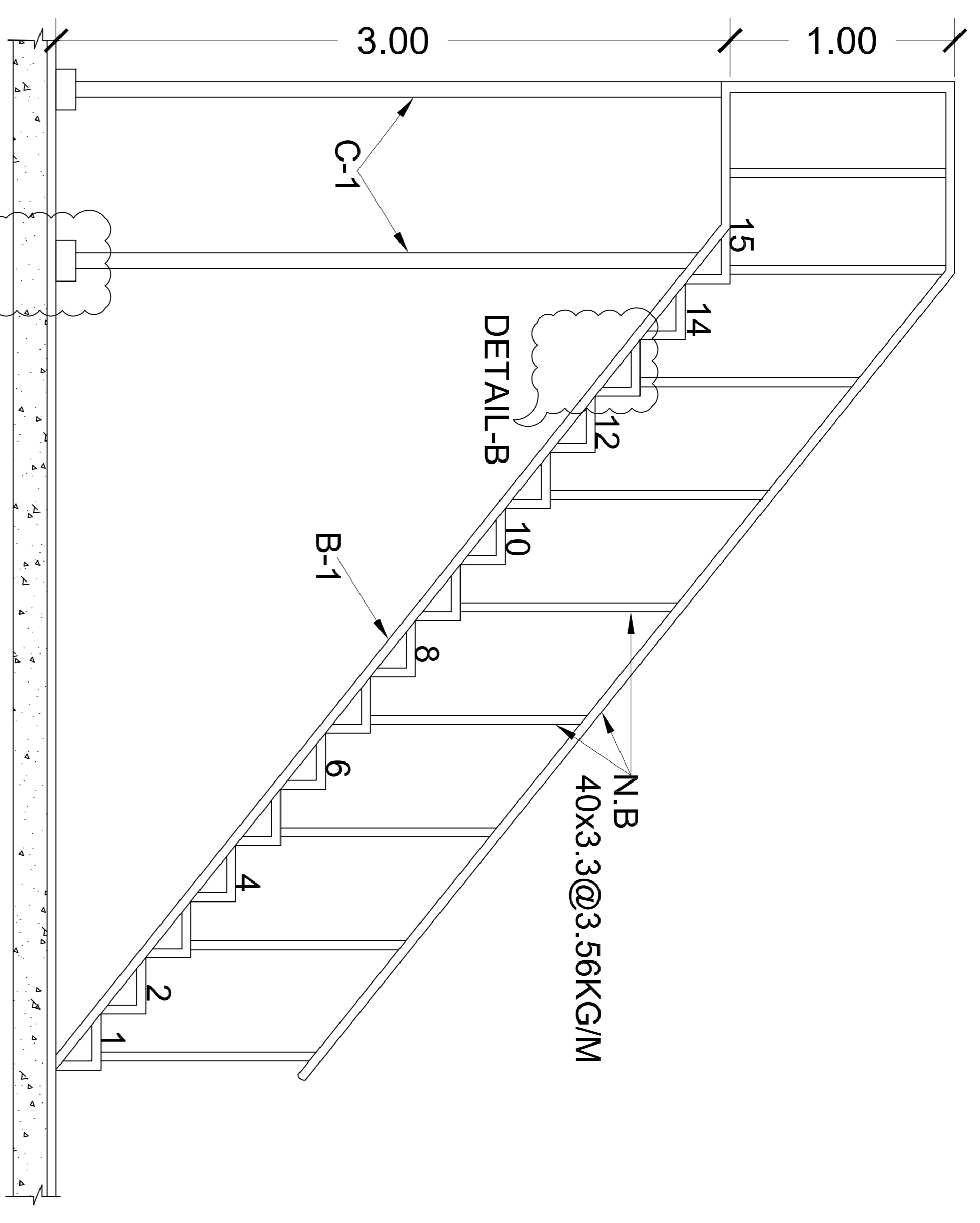
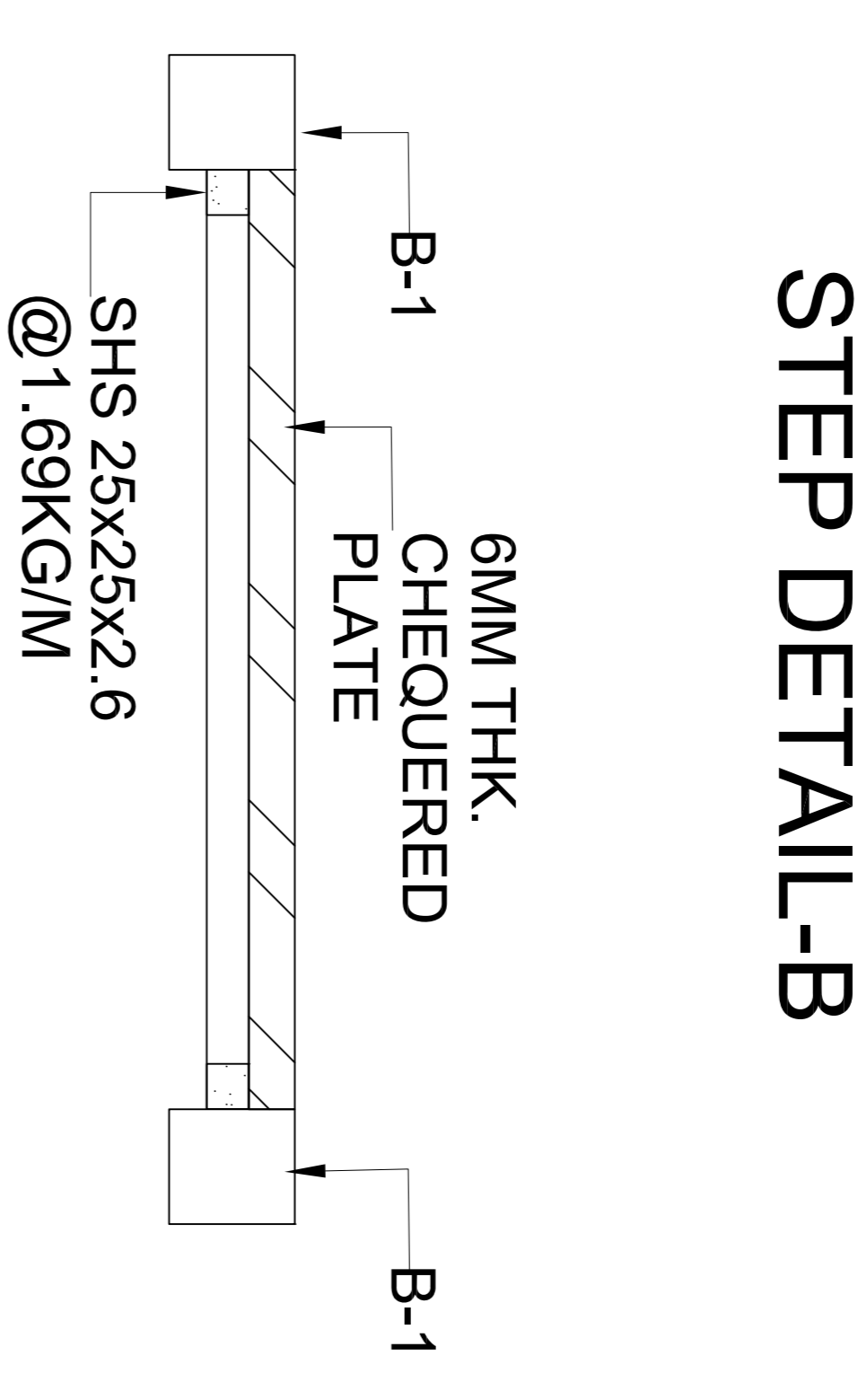
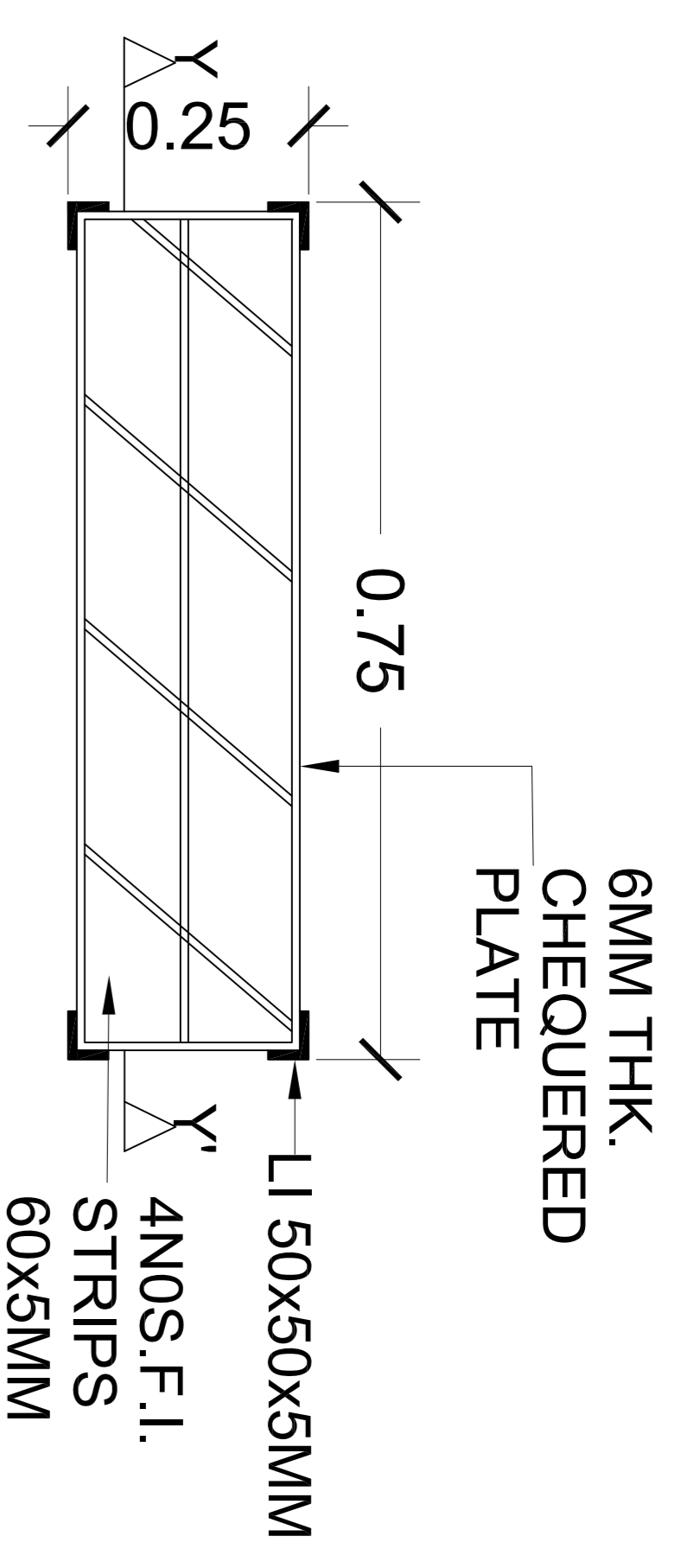
**TENDER STAGE**  **COMPLETION STAGE**

**GFC**

THIS DRAWING IS THE PROPERTY OF RITES LTD. IT SHALL NOT BE REPRODUCED, COPIED, USED IN ANY MANNER OR PASSED OVER TO ANY OTHER PERSON OR PARTY, WITHOUT THE WRITTEN PERMISSION OF RITES LTD.

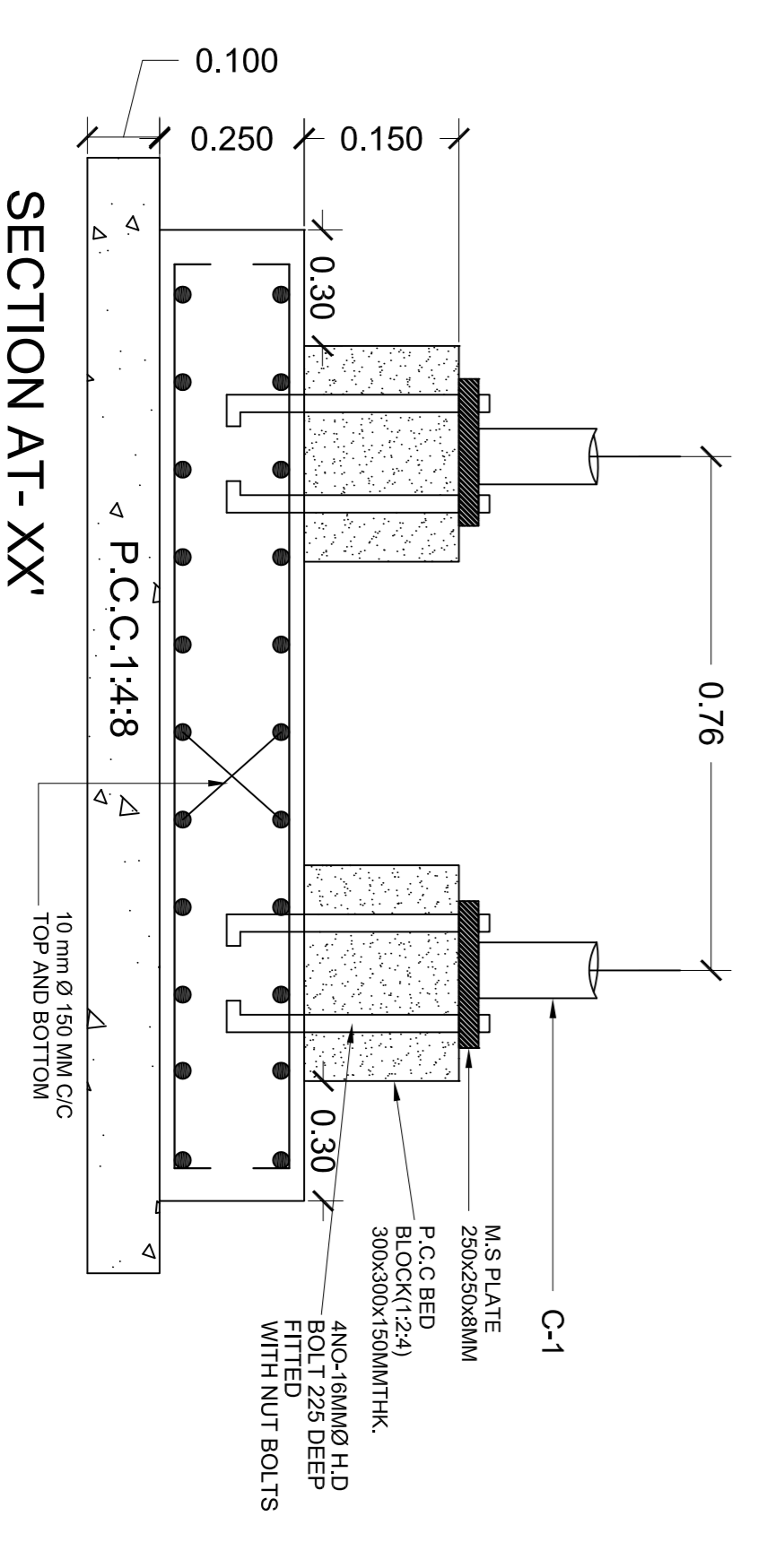
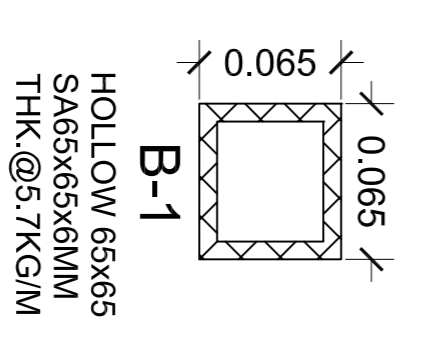
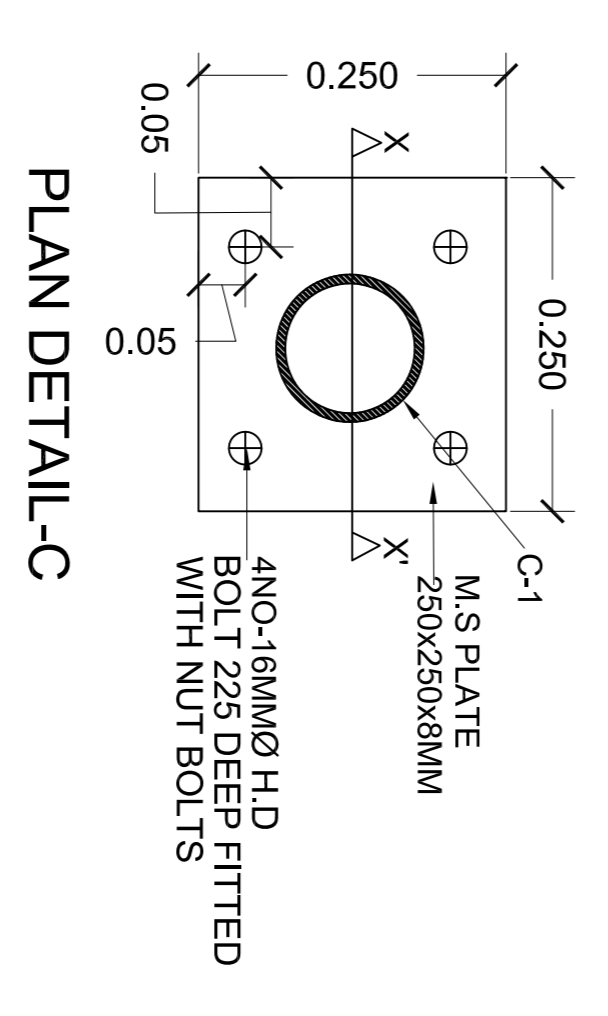
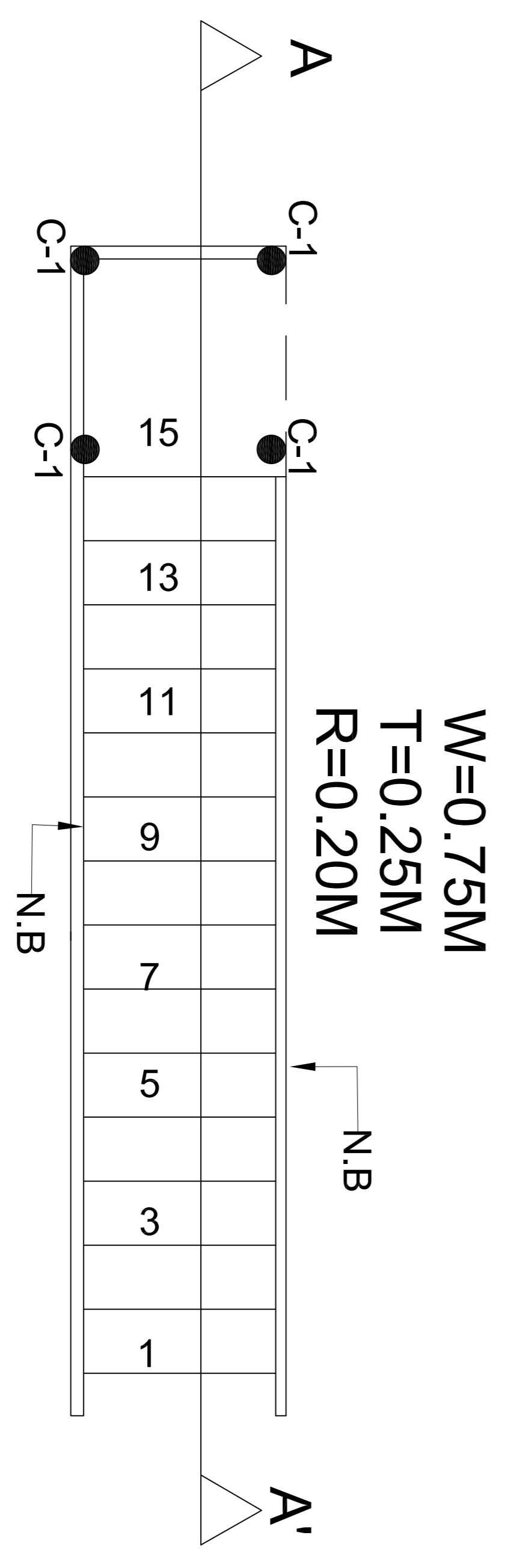
**NOTES:-**

ALL DIMENSIONS ARE IN METERS UNLESS NOTED OTHERWISE.  
 WRITTEN DIMENSIONS ARE TO BE FOLLOWED. DRAWINGS ARE NOT TO BE SCALED.  
 ANY DISCREPANCY IN THE DRAWING SHALL BE BROUGHT TO THE NOTICE OF THE ENGINEER.  
 THIS DRAWING SHALL BE READ IN CONJUNCTION WITH OTHER RELEVANT DRAWINGS.



**SECTION AT-AA'**

**STAIRCASE PLAN**



**GFC**

- COMPLETION STAGE
- CONSTRUCTION STAGE
- TENDER STAGE
- CONCEPTUAL STAGE

SUFFIX	DATE	INITIALS	DETAILS

PROJECT PROPONENT  
**BHOGAPURAM INTERNATIONAL AIRPORT CORPORATION LIMITED (BIACL) GOVT. OF A.P.**

CONSULTANT  
**ORIENTS**  
 THE INFRASTRUCTURE PEOPLE  
 AIRPORTS DIVISION  
 (ISO - 9001 CERTIFIED)

JOB TITLE  
**DEVELOPMENT OF GREEN FIELD AIRPORT AT ORVAKALLU (KURNOLU) A.P., FOR DAY VFR OPERATIONS OF ATR 72 AIRCRAFT**

ARCHITECT : **Renu Khanna & Associates**  
 architects, engineers, interior & landscape planner  
 100/100, 10th Floor, Park Road, Hyderabad  
 India-504 009  
 Ph. +91-172-2683379 Fax. +91-172-2684538  
 Email: renukhanna.architect@ah00.com  
<http://www.architectsrenukhanna.com/>

DRAWING TITLE  
**FIRE WATCH TOWER PLAN AND SECTION**

Job. No.	WD/FWT/AR-01
Scale	01-06-2018
NTS	DEFAULT
DRAWN	CHECKED BY P. CORB.
SUKHWINDER	APPROVED BY R2

COPYRIGHT  
 THIS DRAWING IS THE PROPERTY OF RKS LTD. IT SHALL NOT BE REPRODUCED, COPIED, USED IN ANY MANNER OR HANDED OVER TO ANY OTHER PERSON OR PARTY, WITHOUT THE PRIOR PERMISSION OF RKS LTD.