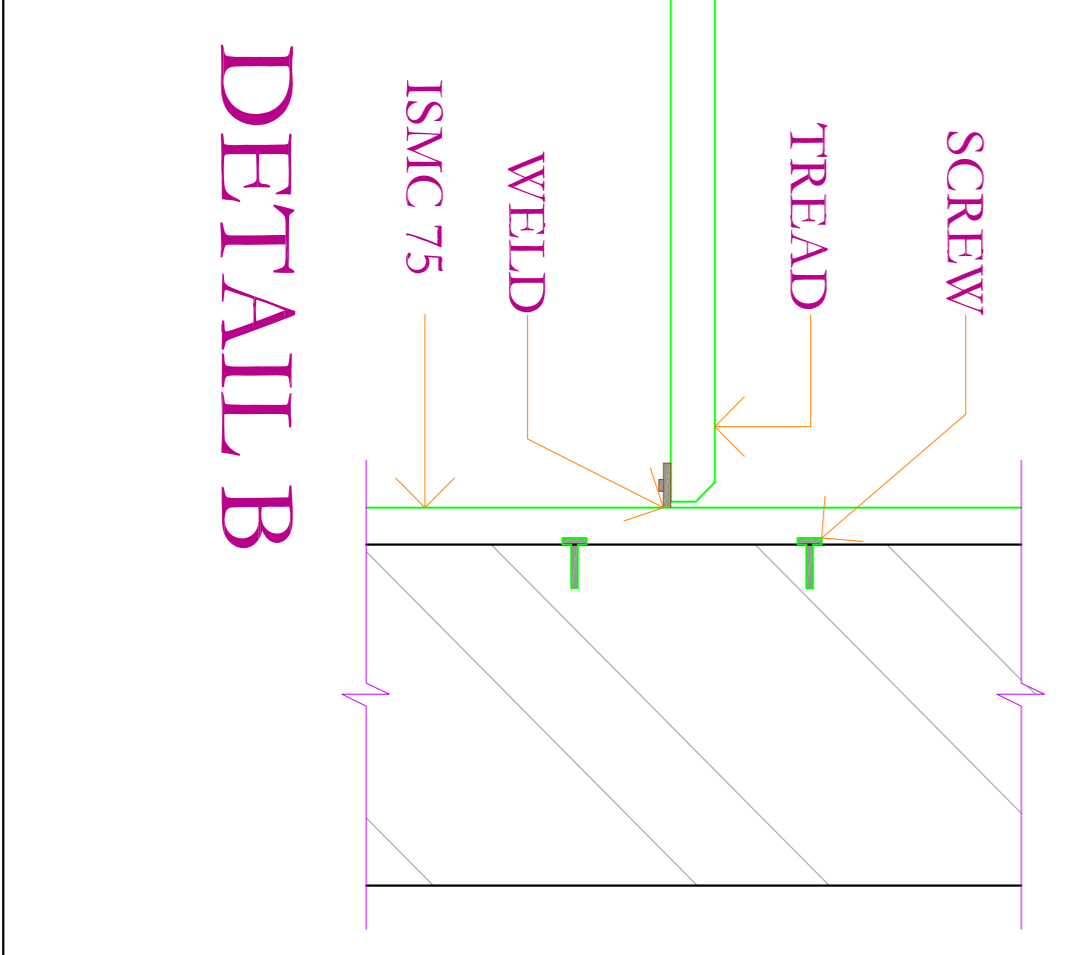
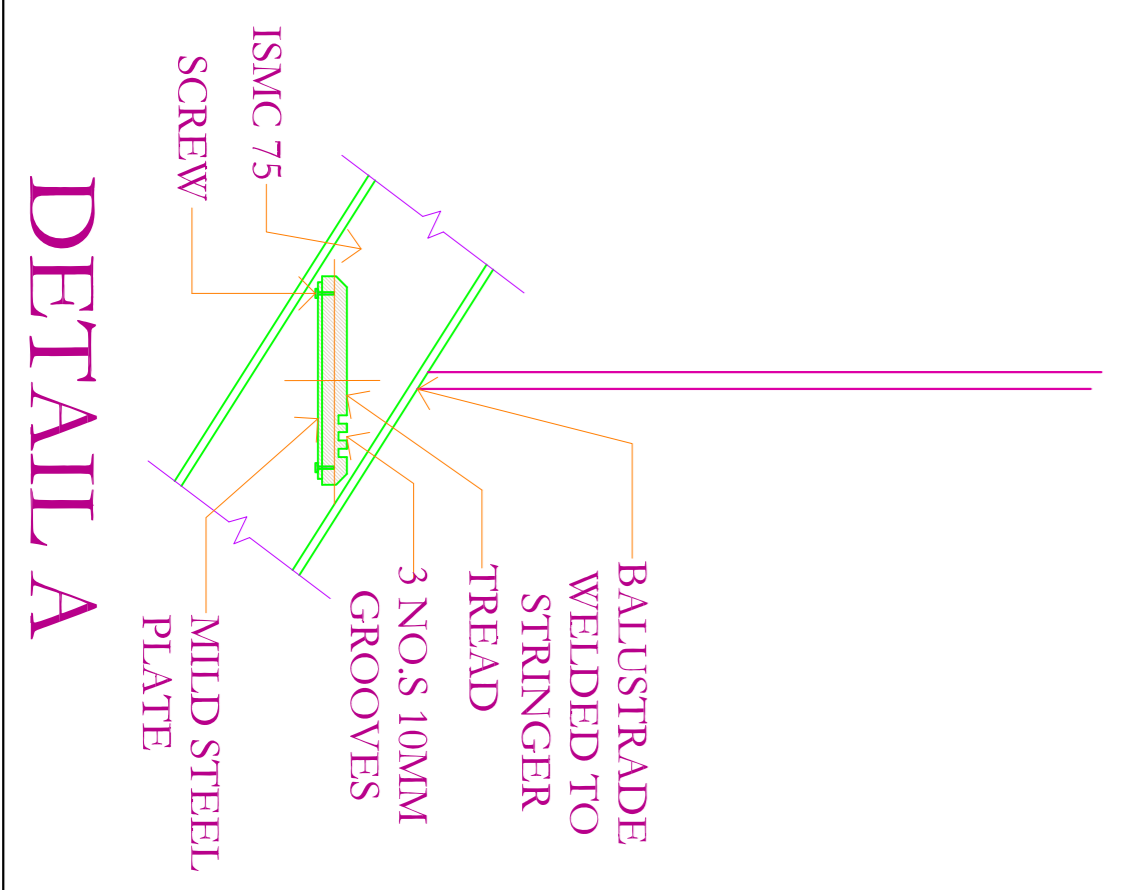
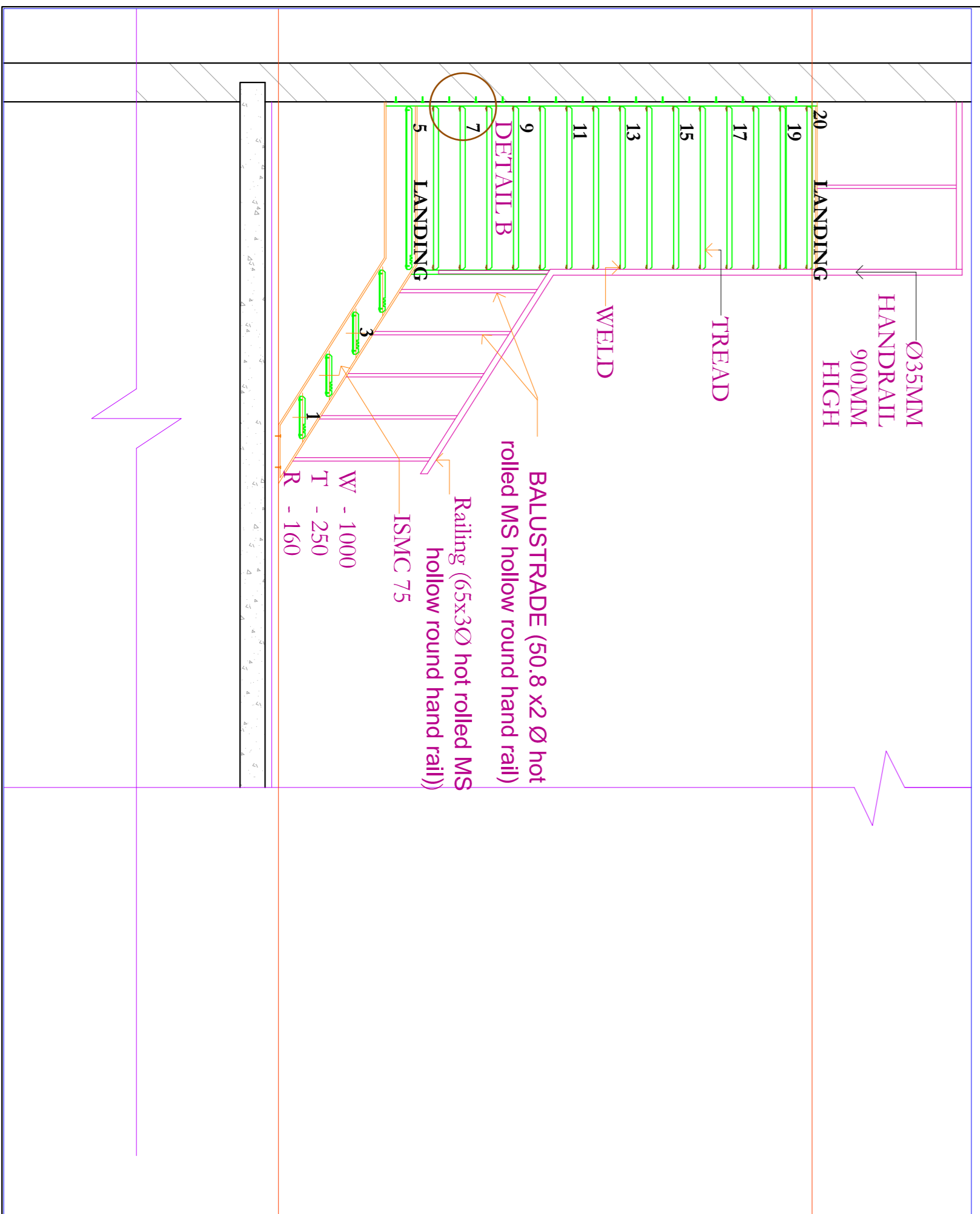
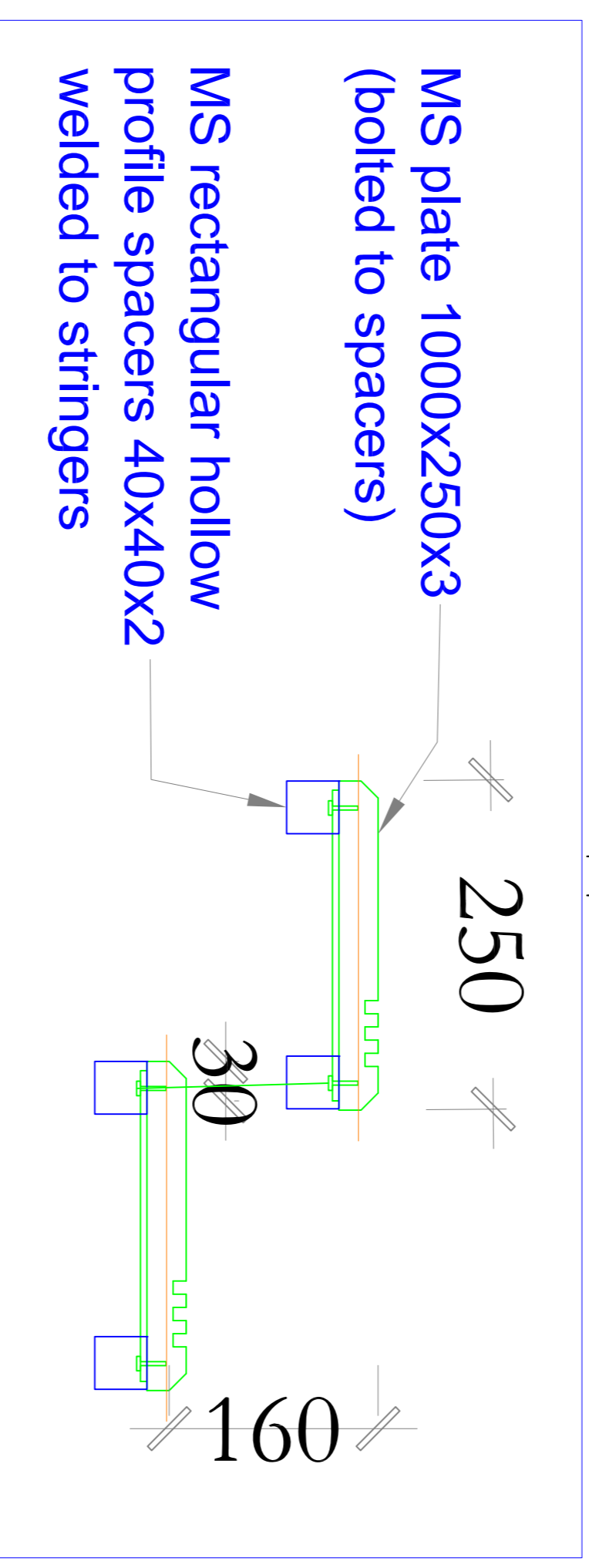
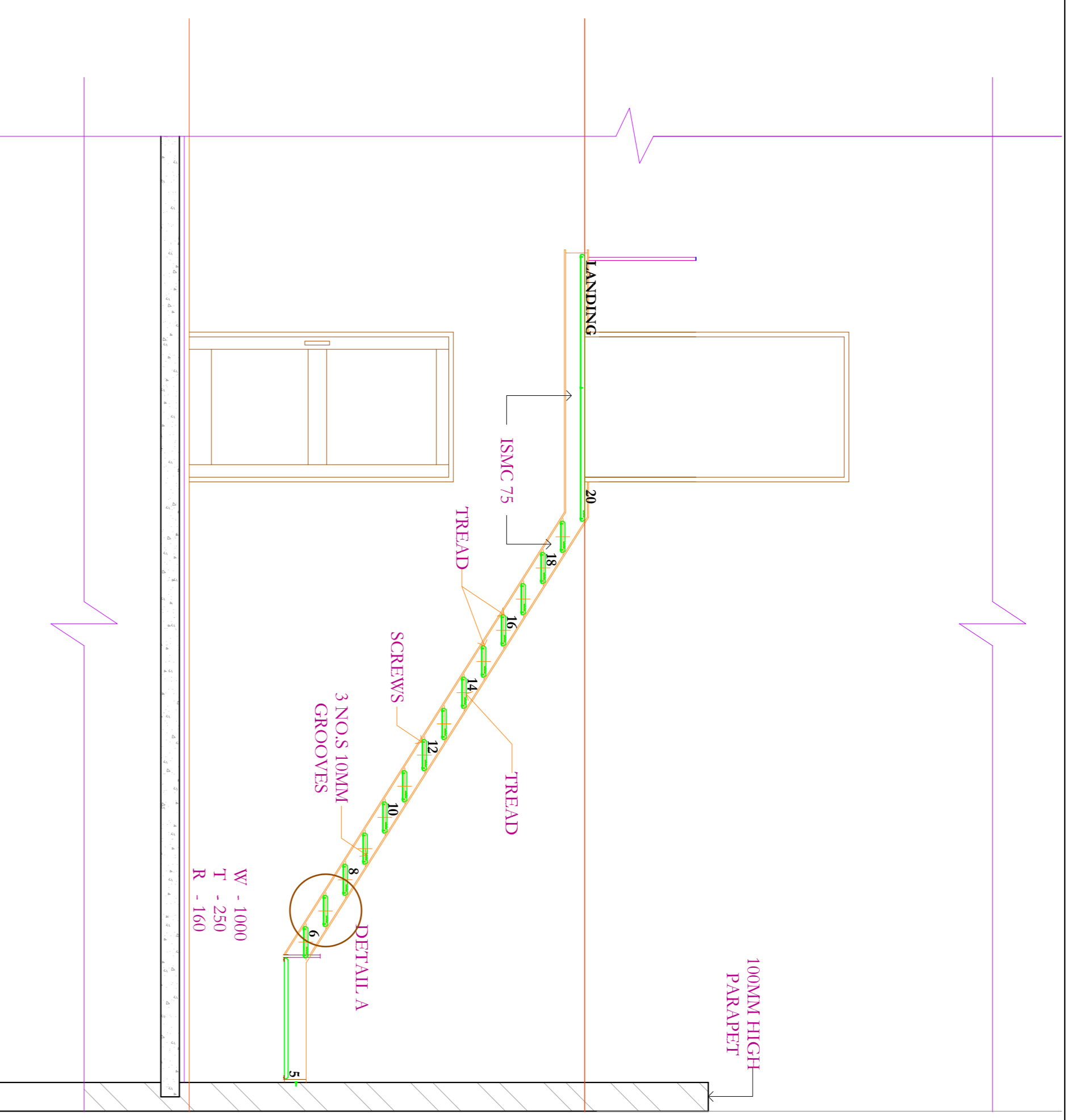


NOTES:-
 ALL DIMENSIONS ARE IN MILLIMETERS UNLESS NOTED OTHERWISE.
 WRITTEN DIMENSIONS ARE TO BE FOLLOWED. DRAWINGS ARE NOT TO BE SCALED.
 ANY DISCREPANCY IN THE DRAWING SHALL BE BROUGHT TO THE NOTICE OF THE ENGINEER.
 THIS DRAWING SHALL BE READ IN CONJUNCTION WITH OTHER RELEVANT DRAWINGS.



GFC

- COMPLETION STAGE
- CONSTRUCTION STAGE
- TENDER STAGE
- CONCEPTUAL STAGE

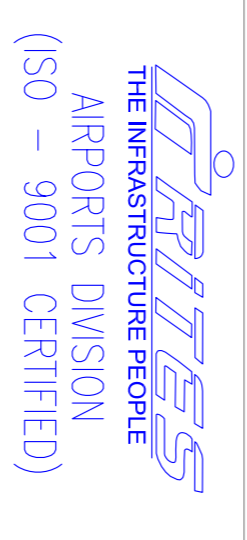
SUFFIX	DATE	DETAILS
R1	16-11-2018	CHANGES IN MEMBER OF STAIRCASE

REVISIONS

PROJECT PROponent

BHOGAPURAM INTERNATIONAL AIRPORT CORPORATION LIMITED (BIACL) GOVT. OF A.P.

CONSULTANT



DEVELOPMENT OF GREEN FIELD AIRPORT AT ORVAKALLU (KURNOOL), A.P., FOR DAY VFR OPERATIONS OF ATR 72 AIRCRAFT

ARCHITECT : Renu Khanna & Associates

architect, engineers, interior & landscape planner
 10/10, 10th Floor, The Park, Hyderabad
 Ph. +91-472-2656379
 Mr. 09857627180, Fax: 01722664538
 Email: renukhanna.architect@gmail.com
 Web: www.architectrenukhanna.com



DRAWING TITLE

M.S. STAIRCASE DETAIL (OTH)

Job No.	Dwg. No.	WD/OTH/ST-01
Scale	Date	
NTS	Revision	01
	DATE	
DESIGN	CHECKED BY	P. COORD.
	APPROVED BY	

COPYRIGHT
 THIS DRAWING IS THE PROPERTY OF RITES LTD. IT SHALL NOT BE REPRODUCED, COPIED, USED IN ANY MANNER OR HANDS OVER TO ANY OTHER PERSON OR PARTY, WITHOUT THE PRIOR PERMISSION OF RITES LTD.

